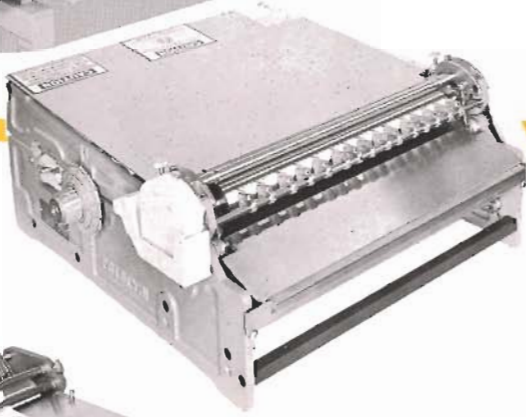


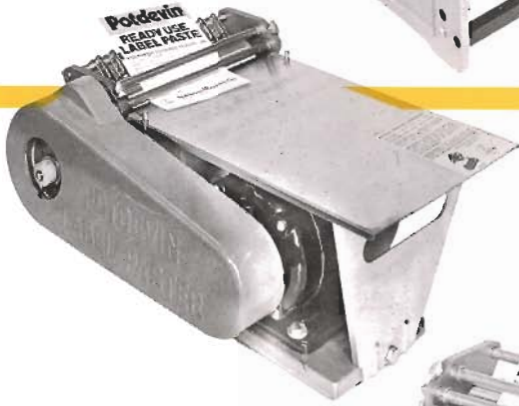
## NTZ Gluer

The Potdevin NTZ Gluer saves time and energy. Uniformly coats smooth or uneven materials up to half inch thick with water-based glues, latex and resins. Use with paper, cardboard, leather, plastic, foam, wood, fabric, rubber. Available in roller widths of 27, 32 and 36 inches.



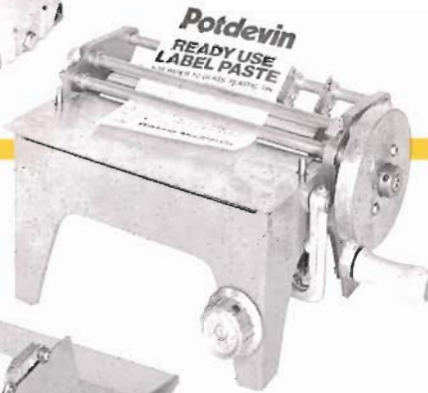
## Type 2R Gluers

The cost-cutting Potdevin Type 2R Gluer, compact and ruggedly constructed, accurately applies any of a variety of adhesives to products ranging from luggage and desk pads to leather goods and book covers. Simple to operate, easy to clean. Available in roller widths of 9, 12, 15, 18 and 21 inches. Electric heater for hot animal glue optional.



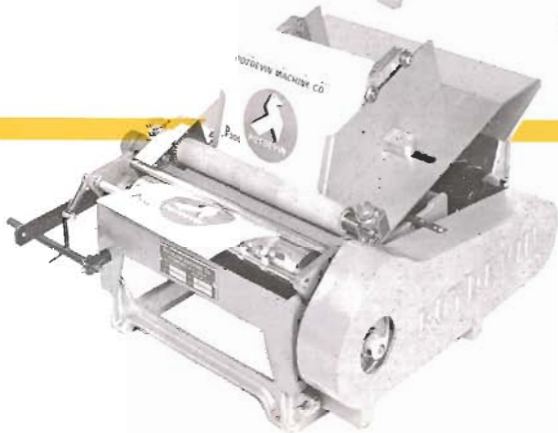
## Label Paster Model LM

Hand- or motor-driven models boost production, add quality to labeling. Regulator controls exact amount of adhesive. Single operator can supply as many as three or four workers applying labels manually. Used to save time and money in more than 20,000 plants. Widths available: 6, 8½ and 12 inches.



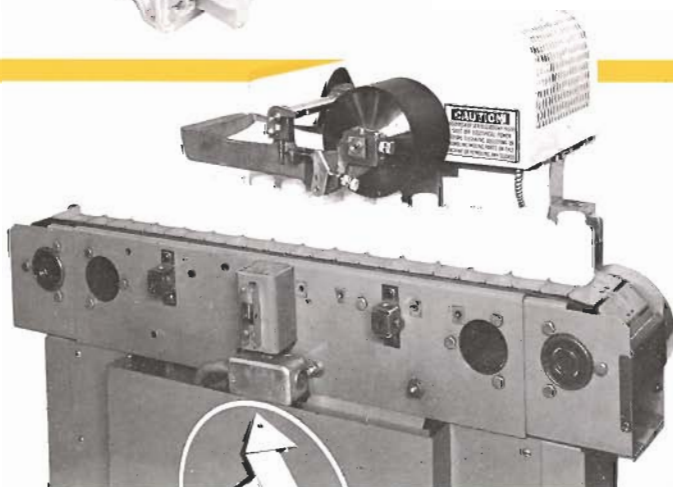
## Hand-Driven Label Paster Model LH

Portable, and perfect for short runs and special jobs. Neat, speedy application of many types of adhesive. Available in 6, 8½ and 12 inch widths.



## Automatic/Semi-automatic Label Paster

Speed up labeling operations with the Potdevin automatic/semi-automatic machine. Stack labels in an adjustable hopper. Select speed and engage. The operator can have labels delivered on demand. Or engage a lever for continuous delivery of labels. Variable speed permits adjustment of delivery speed. Models available with 6, 8½ and 12 inch label.



## Bottle Top Coating Machine

The Potdevin 1 RBTC Coater applies precise amounts of adhesive to the tops of jars, bottles and other containers up to four inches in diameter. Features include variable speed drive that synchronizes operation with line speed, and automatic disengagement of coating roller during line stoppage. Machine height, from top of conveyor to top of bottle, is adjustable up to five inches.



## Conveyor Gluers

Save time, cut production costs with a versatile Potdevin Conveyor Gluer. Ideal for strip gluing, the machine will handle virtually any flat surface, regardless of shape. Potdevin Conveyor Gluers are used extensively for bookbinding and paper box manufacturing. Other applications include file folders, luggage, toys and games, sample cards, novelties. Sixteen-foot belt conveyor supplied; additional eight-foot sections available. Machine widths are 21, 28, 36 and 44 inches. Electric heater for hot animal glue optional.



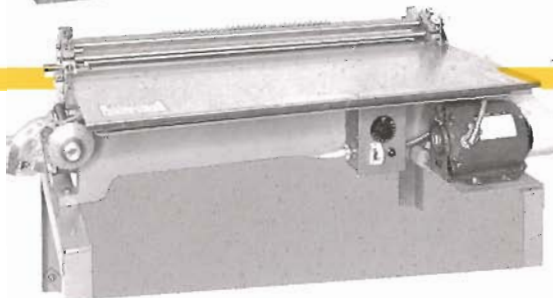
## Edge Gluers

Reduce edge gluing costs as much as 50% with a Potdevin Edge Gluer. Adjustable to accommodate materials up to an inch thick, the Edge Gluer can apply a strip of adhesive to the edge of material from  $\frac{1}{8}$  of an inch to the width of the coating roller. Available in roller widths of 1, 2, 4, 6, 8, 12 and 15 inches. Top- and bottom-side coaters can also be made to order. Electric heater for hot animal glue optional. Higher temperature "Hot Melt" models are also available.



## Rotary Press

Excellent for high-speed laminating of glued materials, flexible or rigid, up to a half inch in thickness. Uses include chipboard to chipboard, litho labels to chipboard or corrugated boxes. Adjustable pressure. Available in widths of 24, 30, 36, 42, 48, 54, 60 and 70 inches.



## Sheet Coating & Gluing Machine

Automate your gluing of paper, cardboard and many other materials with the Potdevin Type Z Gluer. Fast, accurate applications. Available with brass or stainless steel rollers, single-pressure roller for thick materials. Optional attachments for strip gluing, cardboard gluing. Sizes: 21, 27 and 32 inches. Electric heater for hot animal glue optional.



## Sheet Coating & Gluing Machine-Heavy Duty

The Potdevin Heavy Duty Type Z Sheet Coating and Gluing Machine is designed to accommodate wide sheets of paper, cardboard and corrugated. Large rollers, durable construction for lifetime service and dependability. Application rollers available in 39, 46, 54 and 60 inch widths. Electric heater for hot animal glue optional.

\*OPTIONAL DELUX FLOOR STAND

## Release Cote

Save clean up time...machine downtime...machine life...operators' tempers. Release Cote is an inert releasing agent which prevents coatings from adhering to the walls of pots, fountains, tanks, etc. It is applied with cloth or brush before filling your machine. At cleanup time, after reservoirs are drained, residue is removed with a single wiping motion. In quart, gallon, five gallon containers, drums or in a giant economy tube and 12 oz. aerosol.

## Glue

These special glues help you get the most from your Potdevin label paster. P-200 works with paper to paper, paper to cardboard, paper to wood. P-300 is highly effective with paper to glass, paper to plastic and paper to tin. Ready to use. Just pour into glue reservoir. No heating. No diluting. Unbreakable, no spill pouring one-gallon container.

## Pattern Gluer

For applying a registered pattern of glue.

Range of material size:

Width 3" to 21"

Length 6" to 28"

Thickness up to 1/4"

Operates at speeds up to 100 per minute. Delivers sheets with coated side up. Available with Manual, Semi-Automatic and Automatic Feeders.

## Sample Test Your Material

Call to make arrangements  
for us to test your material  
on our equipment



Potdevin headquarters for gluing, labeling & laminating machinery.

# GLUING LABELING LAMINATING MACHINERY